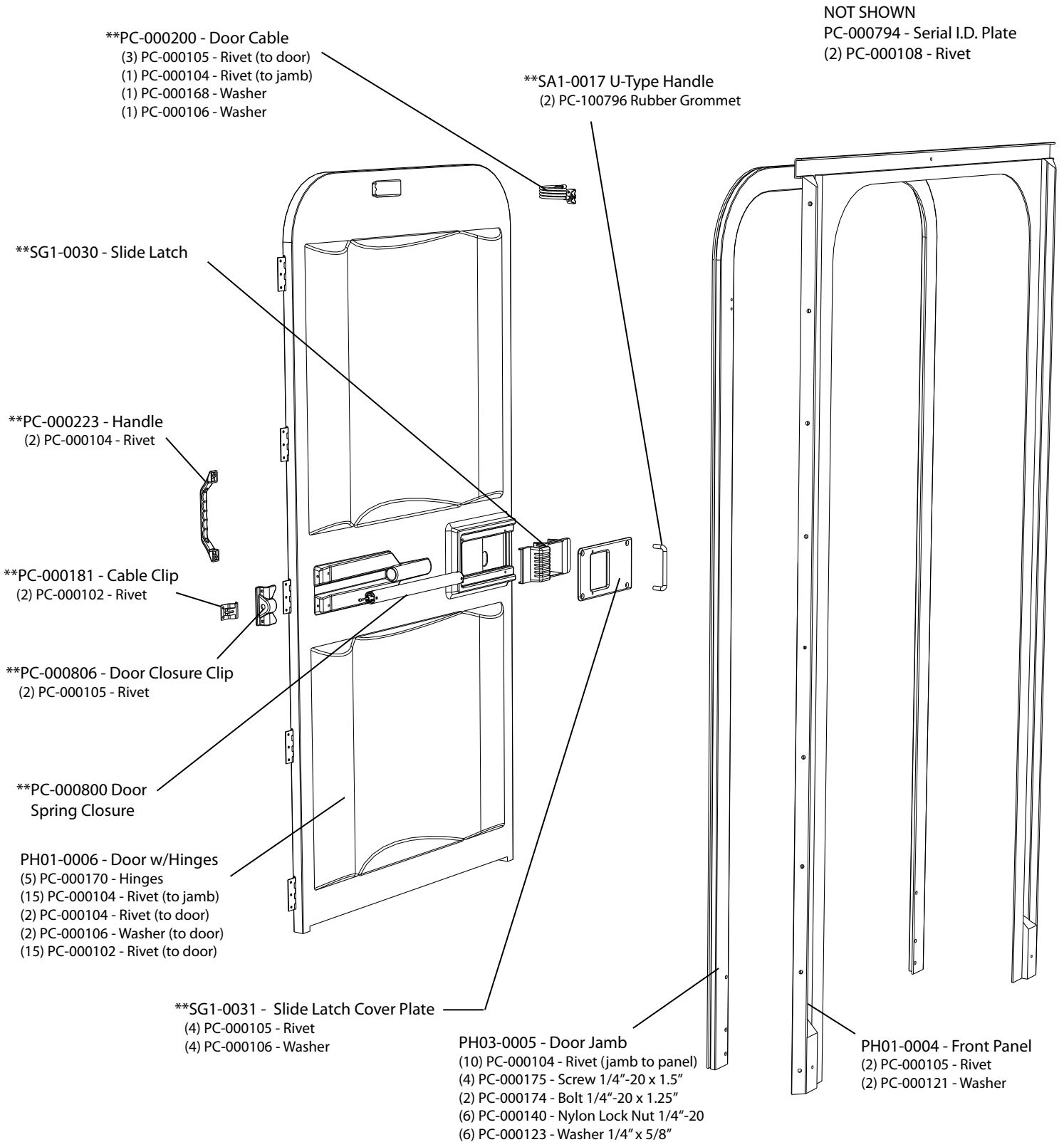


PH01-0003 Front Assembly



** Items are not included with PH01-0003 Front Assembly.
 Parts bag PH03-0206 is available for replacement purposes.