



POLYLIFT™

Highrise Portable Restroom

Technical Information

General Overview

The PL01-1000 PolyLift Highrise Portable Restroom is designed for Highrise Construction Sites. Easily mobile on caster wheels, simply hooks up to a crane for highrise portability. An added feature of a urinal is conveniently located on the outside rear of the restroom. An optional roof is also available. Shipped fully assembled.



Specifications

Height w/Roof	91 in	231 cm
Height w/o Roof	69 in	175 cm
Length w/Roof in Down Position	61 in	155 cm
Length w/o Roof	53 in	135 cm
Width w/Roof in Down Position	35 in	89 cm
Width w/o Roof	33 in	84 cm
Weight w/Roof	287 lb	129 kg
Weight w/o Roof	251 lb	113 kg
Holding Tank Capacity	38 gal	144 ltr

POLYJOHN USA

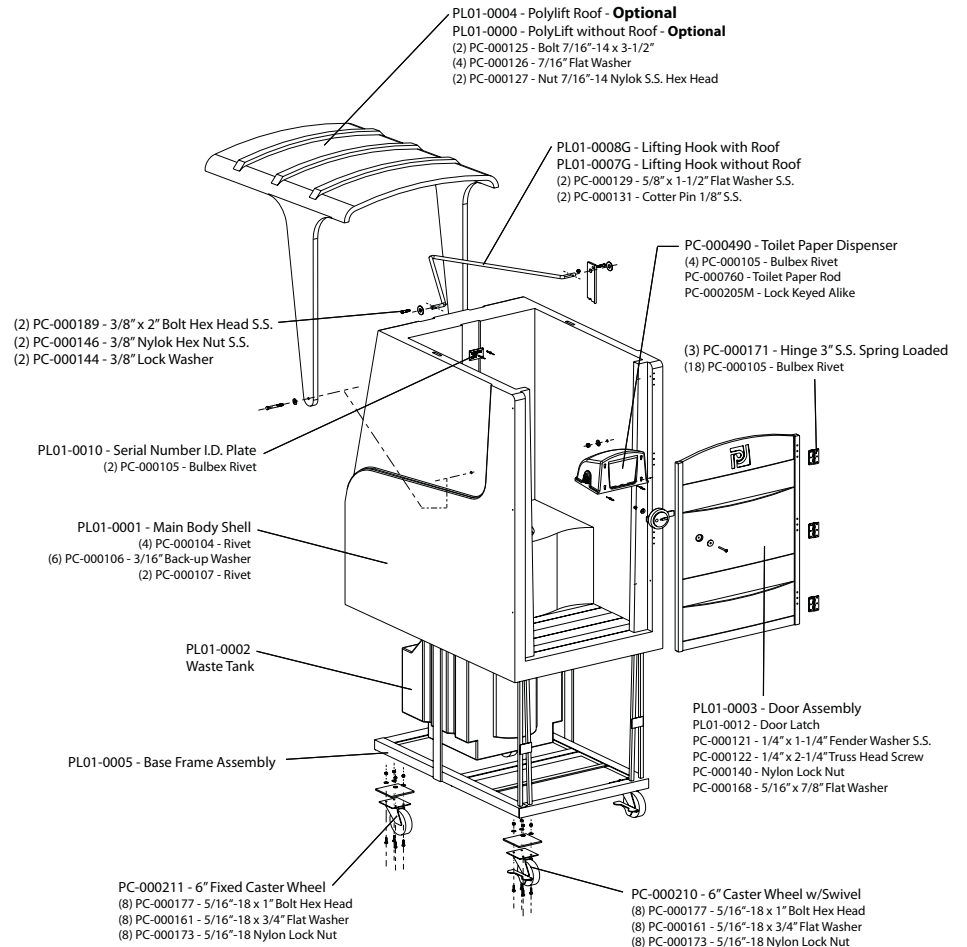
PolyJohn Enterprises Corp
2500 Gaspar Ave.
Whiting, IN 46394
Phone: 800-292-1305
Fax: 219-659-0625
www.polyjohn.com
info@polyjohn.com

POLYJOHN WORLDWIDE

PolyJohn (UK) Ltd.
Equinox 1 Audby Lane
Wetherby, England LS22 7RD
Phone: 44 (0) 1937-583333
Fax: 44 (0) 1937-583322
www.polyjohn.co.uk
sales@polyjohn.co.uk

POLYJOHN CANADA

PolyJohn Canada
P.O. Box 2300
199 Forest Plain Rd.
Orillia, Ontario LV3 6S2
Phone: 800-465-9590
Fax: 705-325-8250
www.polyjohncanada.ca
info@polyjohncanada.ca



**NOT SHOWN

PC-000204 - Toilet Seat
 PC-100784 - Weight Load Limit Plate
 (1) PC-000108 - Rivet
 (1) PC-000106 - 3/16" Back-up Washer

CLEANING AND MAINTENANCE

Use a mild soap to clean all surfaces and component parts.

Minor scratches and abrasions can be lightly sanded or scrubbed with a mild abrasive cleaner (*such as "Soft Scrub"*) that contains calcium carbonate, hypochlorate bleach and detergents. Be sure to follow the cleaning product directions since these ingredients may cause hazardous gases when mixed with other chemicals. Rinse the cleaned area and buff with a conventional wax.

Some light scratches may also be hidden by using an industrial hot air gun.

To keep the interior smelling fresh, spray the interior with a deodorant spray.

For a source of cleaning, deodorizing and paper products contact:

**RID IT
2500 GASPAR AVE.
WHITING, IN 46394-2175
800-292-1305 EXTENSION 514
www.rid-it.com**

We highly recommend membership in the Portable Sanitation Association International (PSAI); the worldwide authority on portable sanitation services. The PSAI, "Portable Sanitation Industry Certification Program" manual contains a wealth of information on standards and service procedures. For more information contact the PSAI:

PORTABLE SANITATION ASSOCIATION INTERNATIONAL (PSAI)
7800 METRO PARKWAY, SUITE 104
BLOOMINGTON, MINNESOTA 55425 USA
800-822-3020 / 612-854-8300 FAX 612-854-7560
www.pesai.org

MISSION STATEMENT

"PolyJohn is a family owned, state of the art, plastics manufacturing company dedicated to providing its employees with a work environment committed to excellence, and its customers with innovative products, services and technology that meet or exceed their requirements."

THANK YOU FOR PURCHASING POLYJOHN PRODUCTS!

Look for us on the Web @ www.PolyJohn.com