



PSW1-0500 HandStand™ Tank on Wheels Assembly Instructions

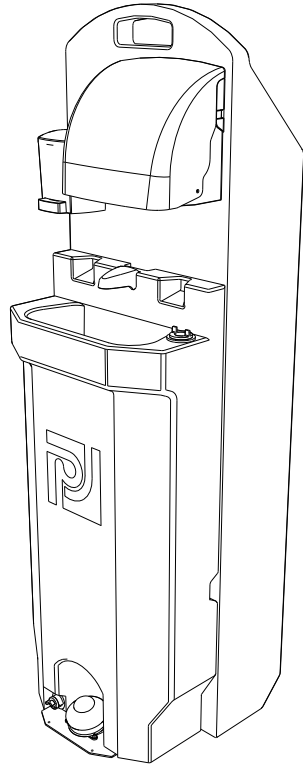
General Overview

The PSW1-0500 HandStand™ Tank is a gray water holding tank designed to be used in conjunction with the PS02 Sink. Used where convenient hand washing is desired or required, such as offices, classrooms, construction sites, festivals, food service locations, etc., to be used indoors or out. The compact design allows it to be used most anywhere. Ideal where space is limited.

Specifications

Height	62 in	157.5 cm
Width	18 in	45.5 cm
Depth	18 in	45.5 cm
Fresh Water Capacity	16 gal	60.5 L
Gray Water Capacity	19 gal	72 L
Pump Capacity (per stroke)	2 fl oz	59.14 ml
Soap Dispenser Capacity	30 fl oz	887 ml
Number of Single Dispenses	1024	1024
Paper Towel Capacity	1 Roll or 500 Single Fold (2 packs - Georgia Pacific 23504)	
Weight Empty	48.5 lb	22 kg
Weight Full	182 lb	82.5 kg

Specifications are for the tank with the sink.



Sink not included.

All materials, including resin, pigments and additives used to make the plastic components as well as the plumbing components that come in contact with the fresh water are U.S. FDA food grade compliant.

POLYJOHN USA

PolyJohn Enterprises Corp
2500 Gaspar Ave.
Whiting, IN 46394
Phone: 800-292-1305
Fax: 219-659-0625
www.polyjohn.com
info@polyjohn.com

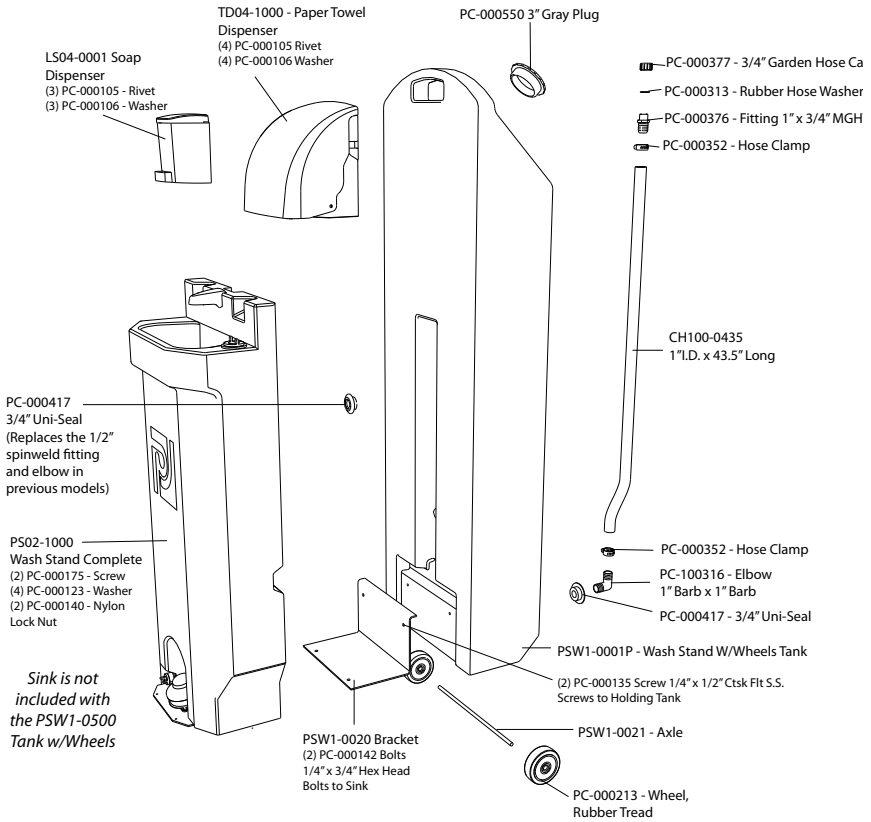
POLYJOHN WORLDWIDE

PolyJohn (UK) Ltd.
Equinox 1 Audby Lane
Wetherby, England LS22 7RD
Phone: 44 (0) 1937-583333
Fax: 44 (0) 1937-583322
www.polyjohn.co.uk
sales@polyjohn.co.uk

POLYJOHN CANADA

PolyJohn Canada
P.O. Box 2300
199 Forest Plain Rd.
Orillia, Ontario LV3 6S2
Phone: 800-465-9590
Fax: 705-325-8250
www.polyjohncanada.ca
info@polyjohncanada.ca

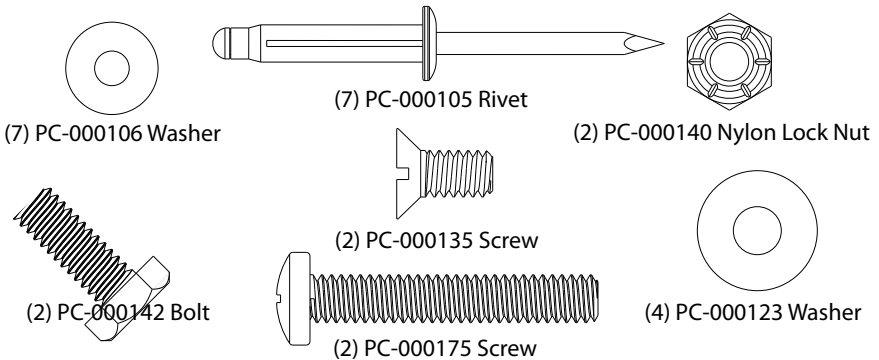
Parts Drawing - Exploded View



~~Assembly Tools Required~~

- Utility Knife
- Rivet Gun
- Slotted Screwdriver
- Drill with 13/64" Bit
- 7/16" Wrench
- Tape Measure
- Phillips Screwdriver

Full Size Scale Fasteners



Installation Instructions

Step 1. Make sure the sink is drained.

Step 2. Using a 13/64" bit, drill two holes in the center of the two recesses at the top of the sink. *(If the sink was previously used, these holes may already be in the sink.)*

Step 3. Remove the screws from the foot pump plate *(located on the bottom of the sink)*.

Step 4. Pull down the black drain hose connected to the back of the sink. Cut the drain hose so that it is 8-1/2" long from the connection to the sink.

Step 5. Using a slotted screwdriver attach the bracket to the gray water tank with (2) PC-000135 - Screws.

Step 6. Liberally apply some dish soap to the end of the hose, and insert the hose into the Uni-seal fitting in the gray water tank.

Step 7. Place the sink onto the bracket. Lay the unit onto its back and line up the holes of the foot pump plate with those in the bracket. Insert the (2) PC-000142 - Bolts and tighten with a 7/16" wrench.

Step 8. Stand the unit upright. Unscrew the PC-000550 - Gray Plug from the back of the tank. Center the top of the sink

against the tank. Using a phillips screwdriver, fasten in place *(into the holes drilled in Step 2)* using (2) PC-000175 - Screws with (2) PC-000123 - Washers from the outside, with (2) PC-000123 - Washers and (2) PC-000140 - Nylon Lock Nuts on the inside of the tank using a 7/16" wrench. Screw the gray plug back on the tank.

Step 9. *The suggested location for the Paper Towel Dispenser is on the top right side of the tank.* Position the back of the dispenser against the tank with the bottom and right edges at approximately 6" up from the top edge of the sink and 3/4" in from the right side of the tank. Drill through the four holes using a 13/64" bit. Rivet into place using (4) PC-000105 - Rivets with (4) PC-000106 - Washers behind the heads of the rivets.

Step 10. *The suggested location for the Soap Dispenser is on the top left side of the tank.* Position the back of the dispenser against the tank with the bottom and left edges at approximately 8" up from the top edge of the sink and 3/4" in from the left side of the tank. Drill through the three holes using a 13/64" bit. Rivet into place using (3) PC-000105 - Rivets with (3) PC-000106 - Washers behind the heads of the rivets.

Maintenance Information

Filling with Fresh Water

Unscrew the 1" plug located at the top of the sink. Insert a standard 1" garden or similar type hose and fill with a few gallons of fresh water to perform a system check. Depress the pump a few times to "prime" it *(the pump has a built-in check valve that will hold a prime between uses)*. Continue filling to the top *(which is the 16 gallon water level capacity and should take approximately 5 minutes with a standard garden hose and normal water pressure)*. Tighten the plug when finished.

Emptying Fresh Water

Drain the fresh water by unscrewing the 1/2" plug located at the bottom of the sink. Tighten the plug when finished.

Emptying Gray Water

Wheel the sink to a proper drain location such as a toilet or drain. Pull the hose out from the rib on the back of the holding tank, remove the hose cap and empty the gray water. Replace the cap when finished.

Paper Towel Dispenser

The dispenser is designed to accept single or multi fold, as well as roll towels. The recommended towels are the *Georgia Pacific #23504* - single fold or the *Baywest Ecosoft #46200* - roll towel. **NOTE: When using other towels, be sure the width does not exceed 9-1/2". The use of a roll towel complies with ADA requirements.**

Soap Dispenser

Open the soap dispenser by placing your hands on both sides of the dispenser and pressing up on the tabs of the lid. Locate the tab on the mounting plate at the rear of the dispenser and push in on it and slide the dispenser up and off. Fill with 30 fluid ounces of liquid soap. Refasten it to the mounting plate and snap the lid back on.



PSW1-0500 - HandStand

October 2009

Page 3 of 4

Winterizing

- Drain all water from the tanks.
- Depress the foot pump to clear lines.
- Flush tank with a solution of chlorine and water.

CLEANING AND MAINTENANCE

Use a mild soap to clean all surfaces and component parts.

Minor scratches and abrasions can be lightly sanded or scrubbed with a mild abrasive cleaner (*such as "Soft Scrub"*) that contains calcium carbonate, hypochlorate bleach and detergents. Be sure to follow the cleaning product directions since these ingredients may cause hazardous gases when mixed with other chemicals. Rinse the cleaned area and buff with a conventional wax.

Some light scratches may also be hidden by using an industrial hot air gun.

To keep the water fresh add a "Fresh Sink Tablet" (*chlorinated tablet*) each time the sink is filled with water.

For a source of cleaning, deodorizing and paper products contact:

RID IT
2500 GASPAR AVE.
WHITING, IN 46394-2175
800-292-1305 EXTENSION 514
www.rid-it.com

We highly recommend membership in the Portable Sanitation Association International (PSAI); the worldwide authority on portable sanitation services. The PSAI, "Portable Sanitation Industry Certification Program" manual contains a wealth of information on standards and service procedures. For more information contact the PSAI:

PORTABLE SANITATION ASSOCIATION INTERNATIONAL (PSAI)
7800 METRO PARKWAY, SUITE 104
BLOOMINGTON, MINNESOTA 55425 USA
800-822-3020 / 612-854-8300 FAX 612-854-7560
www.psai.org

MISSION STATEMENT

"PolyJohn is a family owned, state of the art, plastics manufacturing company dedicated to providing its employees with a work environment committed to excellence, and its customers with innovative products, services and technology that meet or exceed their requirements."

THANK YOU FOR PURCHASING POLYJOHN PRODUCTS!

Look for us on the Web @ www.PolyJohn.com