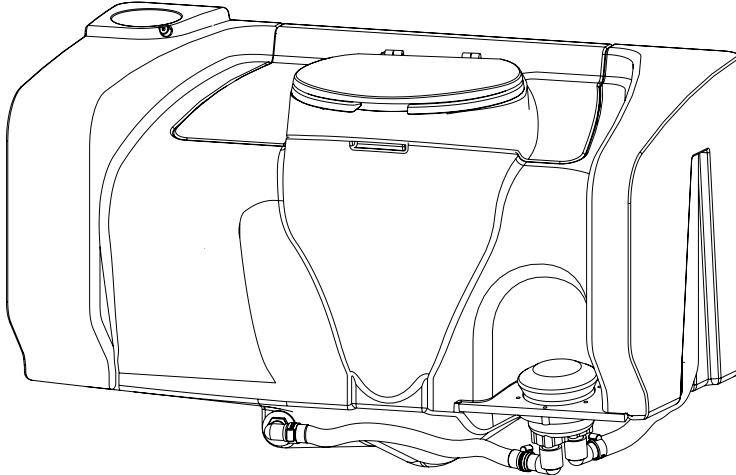


# FT02-1000

## Recirculating Flush System

### Technical Information



### SPECIFICATIONS

Dimension	Imperial	Metric
Height	24.5 in	62 cm
Length	41 in	104 cm
Depth	24 in	61 cm
Weight - Empty	37 lb	16.65 kg
Tank Capacity	39 gal	148 ltr
Pump Capacity (per stroke)	8 oz	236 ml

### General Product Overview

This re-circulating flush system is designed specifically for the PJN3 model portable restroom. It has an aesthetically contoured waste holding tank with a sloped top to drain away fluid and an integrally molded seat base and bowl to provide a strong "swirlpool" flush. The large hinged lid with a built-in prop rod acts as an access port for service and maintenance. **NOTE: We discourage pumping through the flapper valve as damage may result.**

#### ~~Tools Required~~

- Rivet Gun
- Drill with 13/64" bit
- 7/16" Socket wrench
- Screwdriver
- 1-1/8" Hole saw (if sink is used)
- Tape measure (if sink is used)
- 2-5/16" Hole saw (if urinal is used)

We recommend reading through the entire booklet prior to proceeding with the installation, service or maintenance. All references to the right and left throughout this guide are as viewed from the front of the restroom.

#### POLYJOHN USA

PolyJohn Enterprises Corp  
2500 Gaspar Ave.  
Whiting, IN 46394  
Phone: 800-292-1305  
Fax: 219-659-0625  
www.polyjohn.com  
info@polyjohn.com

#### POLYJOHN WORLDWIDE

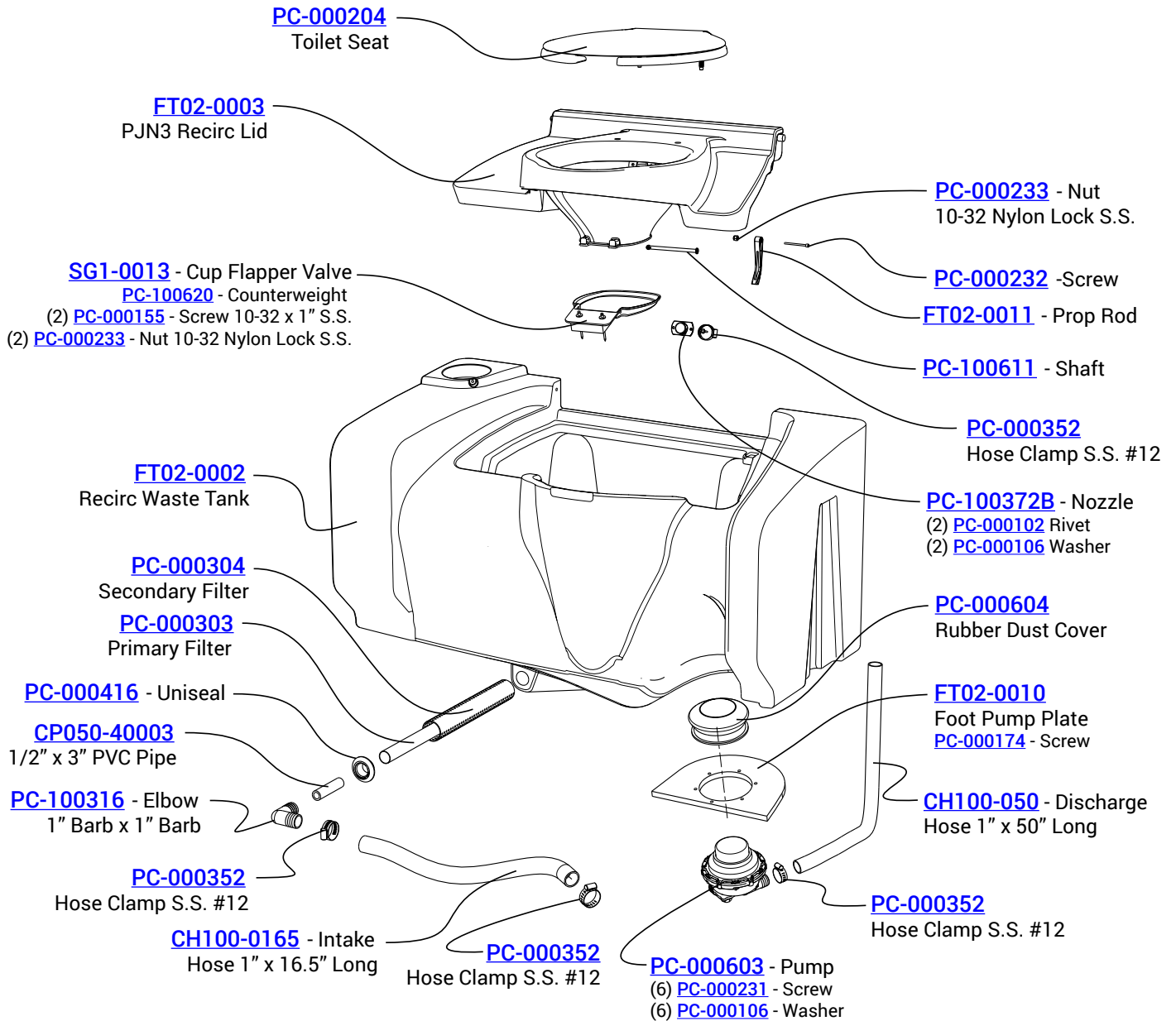
PolyJohn (UK) Ltd.  
Equinox 1 Audby Lane  
Wetherby, England LS22 7RD  
Phone: 44 (0) 1937-583333  
Fax: 44 (0) 1937-583322  
sales@polyjohn.co.uk

#### POLYJOHN CANADA

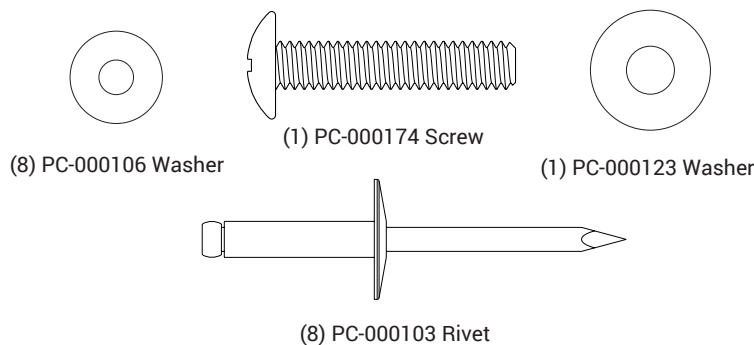
PolyJohn Canada  
P.O. Box 2300  
199 Forest Plain Rd.  
Orillia, Ontario LV3 6S2  
Phone: 800-465-9590  
Fax: 705-325-8250  
info@polyjohncanada.ca

# Exploded Parts Drawing

## PJN3 Recirc Tank FT02-1000

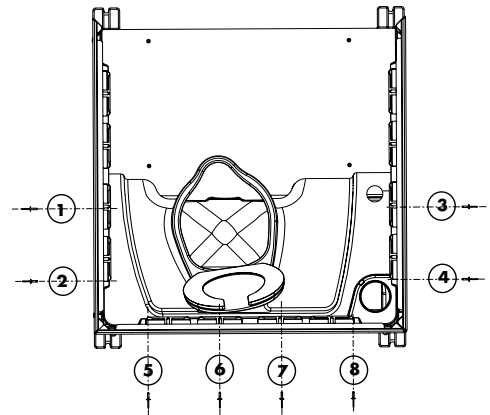


## Full Size Scale Fasteners



**Waste Tank Assembly:** For shipping purposes, the pump is fastened under the lid with the necessary parts for final assembly and installation. Use a Phillips screwdriver to remove the pump plate and pump from the lid. Slide the plate into the slot on the bottom right of the tank, and fasten into place with a PC-000174 Screw and PC-000123 washer through the slot and into the hole of the plate. Attach hoses and fasten into place with #12 hose clamps. The CH100-050 hose connects to the out port on the pump. The CH100-0165 hose connects to the in port on the pump. Attach the toilet seat to the tank.

**Waste Tank Installation:** Position the tank so that it is centered between the side panels and pushed up to the floor plate. There are drill spots on each of the wall panels. Push the wall panels in flat against the tank and drill (8) 13/64" holes through the specified drill spots and through the wall of the tank. **CAUTION: DRILL ONLY THROUGH THE OUTER WALL OF THE TANK. DO NOT DRILL THROUGH THE INSIDE TOP SURFACES OF THE TANK.** On the outside of the restroom rivet the tank in place using (8) PC-000103 rivets, while another person inside the restroom places PC-000106 back-up washers on the rivet stems on the inside of the tank.



## CLEANING AND MAINTENANCE

Use a mild soap to clean all surfaces and component parts.

Minor scratches and abrasions can be lightly sanded or scrubbed with a mild abrasive cleaner (such as "Soft Scrub") that contains calcium carbonate, hypochlorate bleach and detergents. Be sure to follow the cleaning product directions since these ingredients may cause hazardous gases when mixed with other chemicals. Rinse the cleaned area and buff with a conventional wax.

Some light scratches may also be hidden by using an industrial hot air gun.

For a source of cleaning, deodorizing and paper products visit our website and find **COOPER'S OWN** under 'supplies'.

## MISSION STATEMENT

"PolyJohn is a family owned, state of the art, plastics manufacturing company dedicated to providing its employees with a work environment committed to excellence, and its customers with innovative products, services and technology that meet or exceed their requirements."

**THANK YOU FOR PURCHASING POLYJOHN PRODUCTS!**

Look for us on the Web @ [www.PolyJohn.com](http://www.PolyJohn.com)