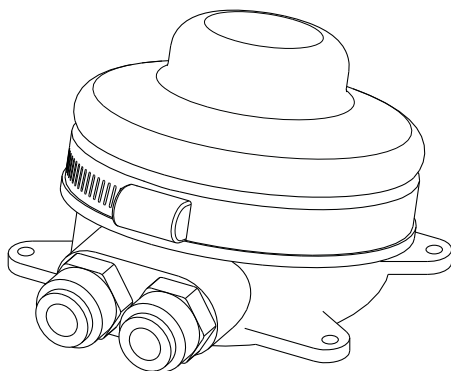




# PC-000600 PJ Small Flush Foot Pump Technical Information

## General Product Overview

The PC-000600 - PJ Small Flush Foot Pump is a small flushing foot pump with 3/8" inlet and outlet ports designed to be used for washing in a hands free sink. The pump has a built in check valve that will hold a prime between uses.



***We suggest reading through the entire booklet prior to proceeding with use, service and or maintenance. Regular inspection of the pump is recommended. The pump and system should be completely drained before any maintenance is to be performed.***

### **POLYJOHN USA**

PolyJohn Enterprises Corp  
2500 Gaspar Ave.  
Whiting, IN 46394  
Phone: 800-292-1305  
Fax: 219-659-0625  
www.polyjohn.com  
info@polyjohn.com

### **POLYJOHN WORLDWIDE**

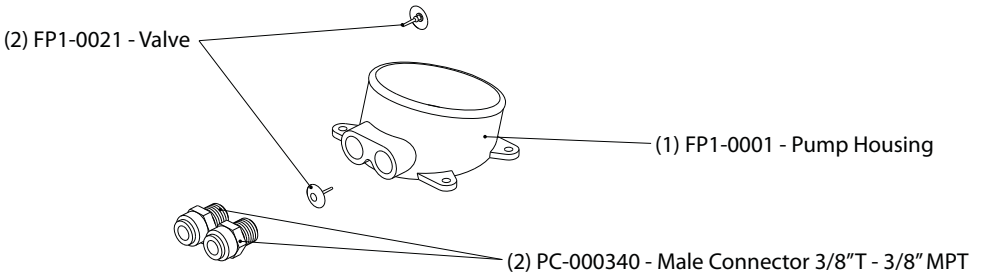
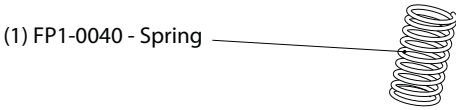
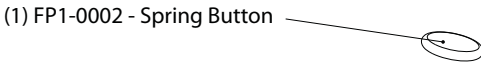
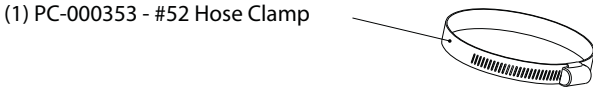
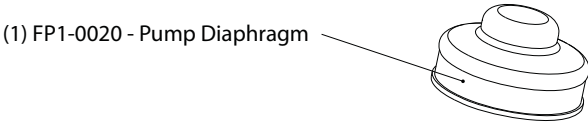
PolyJohn (UK) Ltd.  
Equinox 1 Audby Lane  
Wetherby, England LS22 7RD  
Phone: 44 (0) 1937-583333  
Fax: 44 (0) 1937-583322  
sales@polyjohn.co.uk

### **POLYJOHN CANADA**

Rama Plastics  
P.O. Box 2300  
199 Forest Plain Rd.  
Orillia, Ontario LV3 6S2  
Phone: 800-465-9590  
Fax: 705-325-8250  
info@ramaplastics.ca

**NOTE: An arrow is imprinted on the side of each port to indicate whether it is the inlet or outlet port. The port with the arrow facing towards the housing is the inlet port and the port with the arrow facing away from the housing is the outlet port.**

### **Exploded View**



## Service / Maintenance Information

### Replacing the FP2-0021 - Flow Valves:

1. Using a flathead screwdriver, loosen and remove the PC-000353 - Hose Clamp from the FP1-0020 - Pump Diaphragm.
2. Remove the FP1-0002 - Spring Button and FP1-0040 - Spring.
3. Using a 13/16" wrench, loosen and remove the two PC-000340 - 3/8" T - 3/8" MPT Male Connectors.
4. For the Inlet Port - From inside the FP1-0001 - Pump Housing pull the flap of the FP1-0021 - Flow Valve and remove. Replace the valve by pushing the stem of the flap valve through the center hole of the inlet port cartwheel with your thumb while from up inside the port pull the stem of the valve with needle nosed pliers (*making sure the stem pulls through and snaps into place*).
5. For the Outlet Port - On the outside of the Pump Housing using needle nosed pliers pull the flap of the flow valve from up inside the port and remove. To replace the valve, gently squeeze the flap of the valve inward with needle nosed pliers. From outside of the port place the stem end of the valve up into the outlet port through the center hole of the outlet port cartwheel and from inside the pump housing hold the stem with your fingers, then take the needle nosed pliers and pull the stem through (*making sure the stem pulls through to the inside of the pump housing and snaps into place*).

### Winterizing

- Drain all water from the tank.
- Depress the foot pump to clear the lines.
- An RV & Marine Anti-Freeze may be used to flush through the pump.

**NOTE:** For use during winter months, use with brine to keep from freezing and possibly insulating the pipes and pump.

For a source of cleaning, deodorizing and paper products contact:

**RID IT**  
**2500 GASPAR AVE.**  
**WHITING, IN 46394-2175**  
**800-292-1305 EXTENSION 514**  
**[www.rid-it.com](http://www.rid-it.com)**

We highly recommend membership in the Portable Sanitation Association International (PSAI); the worldwide authority on portable sanitation services. The PSAI, "Portable Sanitation Industry Certification Program" manual contains a wealth of information on standards and service procedures. For more information contact the PSAI:

PORTABLE SANITATION ASSOCIATION INTERNATIONAL (PSAI)  
7800 METRO PARKWAY, SUITE 104  
BLOOMINGTON, MINNESOTA 55425 USA  
800-822-3020 / 612-854-8300 FAX 612-854-7560  
[www.psai.org](http://www.psai.org)

PolyJohn Enterprises Corporation publishes a series of technical manuals for the Portable Sanitation Association International. Contact your area sales representative for further details.

### **MISSION STATEMENT**

"PolyJohn is a family owned, state of the art, plastics manufacturing company dedicated to providing its employees with a work environment committed to excellence, and its customers with innovative products, services and technology that meet or exceed their requirements."

**THANK YOU FOR PURCHASING POLYJOHN PRODUCTS!**

Look for us on the Web @ [www.PolyJohn.com](http://www.PolyJohn.com)