

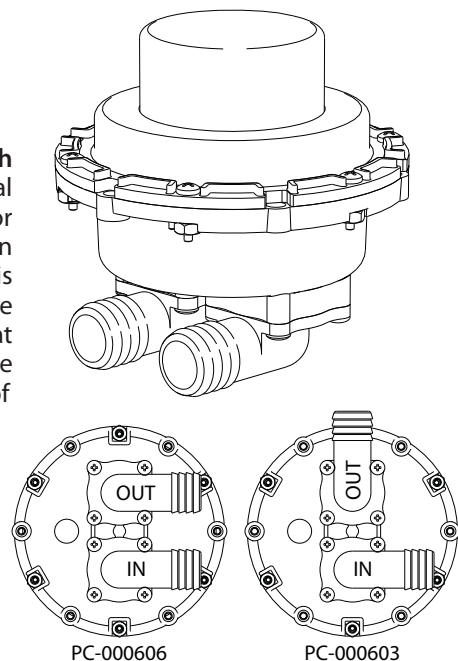
PC-000603/PC-000606 PJ Flush Tank Foot Pump Technical Information

General Product Overview

The PC-000603/PC-000606 - PJ Flush Tank Foot Pump is an exceptional flushing foot pump to be used for one-way fresh water flushing or in recirculating systems. The pump is designed for installation below the floor with two 90 degree elbows that allow rotation of inlet and outlet hose connections permitting flexibility of flow direction.

Inlet/Outlet Options:

There are three possible hose connections for both inlet and outlet ports, combined to give 9 flow orientations.



We suggest reading through the entire booklet prior to proceeding with use, service and or maintenance. Regular inspection of the pump is recommended. All components should be replaced if worn. The pump and system should be completely drained before any maintenance is to be performed.

THANK YOU FOR PURCHASING POLYJOHN PRODUCTS!

POLYJOHN USA

PolyJohn Enterprises Corp
2500 Gaspar Ave.
Whiting, IN 46394
Phone: 800-292-1305
Fax: 219-659-0625
www.polyjohn.com
info@polyjohn.com

POLYJOHN WORLDWIDE

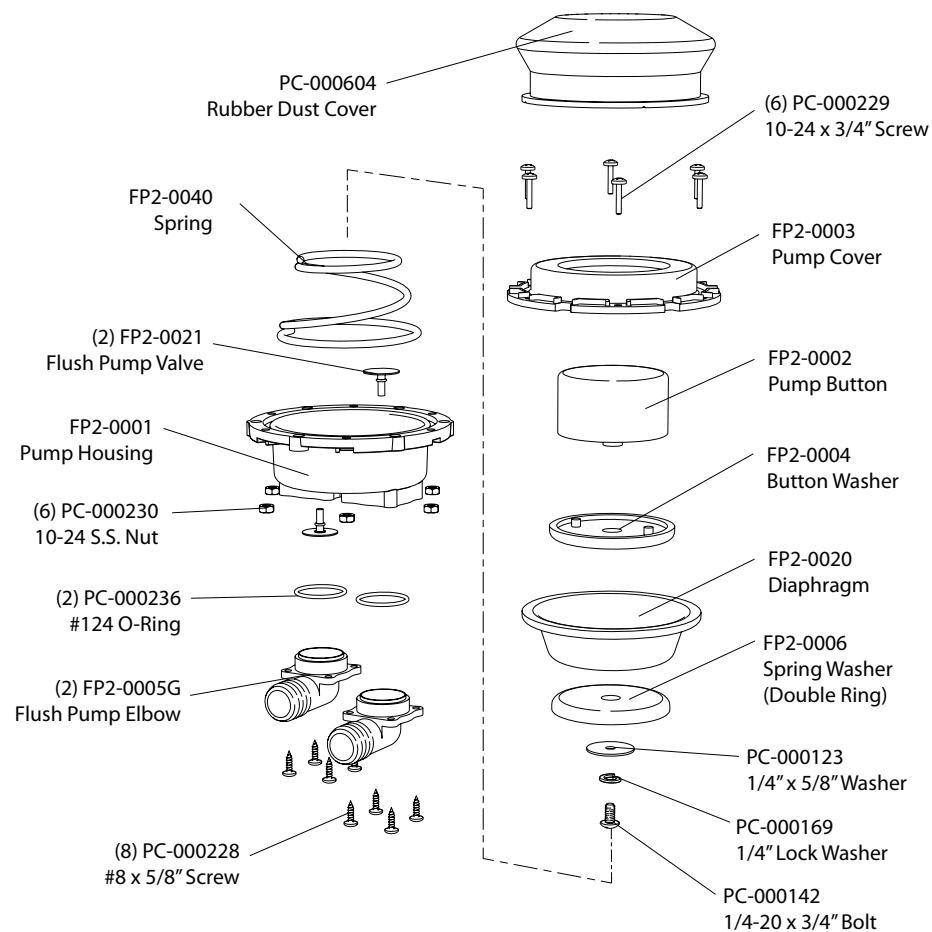
PolyJohn (UK) Ltd.
Equinox 1 Audby Lane
Wetherby, England LS22 7RD
Phone: 44 (0) 1937-583333
Fax: 44 (0) 1937-583322
www.polyjohn.co.uk
sales@polyjohn.co.uk

POLYJOHN CANADA

PolyJohn Canada
P.O. Box 2300
199 Forest Plain Rd.
Orillia, Ontario LV3 6S2
Phone: 800-465-9590
Fax: 705-325-8250
www.polyjohncanada.ca
info@polyjohncanada.ca

Look for us on the Web @ www.PolyJohn.com

PC-000603/606 Flush Pump Exploded Parts View



Not Shown

(6) PC-000106 - Mounting Washers

(6) PC-000231 - 10-24 x 1-1/2" Mounting Screw

June 2013

Operating Information

Changing Inlet/Outlet Positions:

1. Using a Phillips Screwdriver, remove the (4) PC-000228 - Self-tapping screws from the port of the inlet or outlet elbow.
2. Reposition the inlet or outlet elbow as desired.
3. Making sure the PC-000236 - O-Ring is seated in place, reinsert the (4) PC-000228 - Self-tapping screws and tighten. **Do not overtighten.**

Pump Installation:

1. Place the PC-000604 - Rubber Dust Cover over the top of the pump. From the underside of the floor, place the pump up through the hole of the floor.
2. Make sure the orientation of the elbows and the flow direction are as required. (*Follow the "IN" and "OUT" markings on the bottom of the housing.*)
3. Fasten the pump in place using (6) PC-000231 - Screws with (6) PC-000106 - Washers behind the heads of the screws.
4. Place a 1" hose onto both of the inlet and outlet ports of the foot pump and onto the connection of the tank (*making sure to use a PC-000352 - Hose Clamp on each end of both of the hoses to prevent leakage.*)

Service / Maintenance Information

Pump Disassembly

1. Thoroughly clean the inside of the holding tank and empty out the water in the sink (if applicable).
2. Remove the PC-000223 Screws and PC-000106 washers holding the pump to the floor plate.
3. Remove the PC-000604 - Pump Rubber Dust Cover, and tip the unit back.
4. Loosen and remove the (6) PC-000229 Screws and (6) PC-000230 Nuts from the FP2-0003 - Pump Cover Housing and FP2-0001 - Pump Housing.

Pump Reassembly

1. Make sure that the o-ring is correctly seated in place on the groove on the inside end of the elbow, and re-install the elbows in the position required. Tighten the PC-000228 self tapping screws to hold the elbows in place. **Do not overtighten.**
2. Place the diaphragm assembly in place with the ring of the diaphragm going into the groove in the foot pump base. Place the foot pump cover housing over the top and fasten in place using the PC-000229 screws and PC-000230 nuts.

Service / Maintenance Information *(continued)*

Replacing the Diaphragm:

1. Remove the FP2-0002 - Foot Pump Button with the FP2-0020 Diaphragm Assembly.
2. Unassemble the Diaphragm Assembly. Using a 7/16" wrench, loosen the PC-000227 - screw and remove the PC-000169 - Lock Washer, the PC-000123 - Washer and FP2-0006 - Spring Washer. Separate and remove the FP2-0004 - Button Washer with the FP2-0002 - Foot Pump Button from the FP2-0020 Diaphragm.
3. Reassemble the diaphragm assembly in the reverse order that it was taken apart using the new rubber diaphragm.

Replacing the FP2-0021 - Flow Valves:

NOTE: "IN" and "OUT" is imprinted on the bottom of the FP2-0021 - Pump Housing. It is important that the replacement valves go in the pump in the same direction as they come out. The Intake valve is installed from the inside of the pump while the outlet valve is installed from the elbow side of the pump.

1. Follow the directions for removing and disassembling the pump.
2. Loosen and remove the (4) PC-000228 - Self-tapping screws from both the intake and outlet ports. Remove both of the elbows.
3. Remove the FP2-0040 - Tapered Compression Spring.
4. For the Inlet Elbow - From inside the Pump Housing pull the flap of the FP2-0021 - Flow Valve and remove. Replace the valve by pushing the stem of the flap valve through the center hole of the inlet port cartwheel with your thumb (*making sure the stem pushes through to the outer side of the housing and snaps into place*). A plyers may be used to pull slightly on the stem of the valve to assist with proper installation.
5. For the Outlet Elbow - On the outside of the Pump Housing pull the flap of the flow valve and remove. Replace the valve by pushing the stem of the flap valve through the center hole of the outlet port cartwheel with your thumb (*making sure the stem pushes through to the inside of the pump housing and snaps into place*). A plyers may be used to pull slightly on the stem of the valve to assist with proper installation.
6. Reinsert the Spring (*making sure the larger end of the spring sits flat in the bottom of the Pump Housing*). Place the Diaphragm Assembly and Pump Cover on top of the Spring.
7. Follow the directions for reassembling and installing the pump.

Winterizing

- Clean all waste from the waste tank and drain all water from the sink (if applicable).
- Depress the foot pump to clear the lines.
- An RV & Marine Anti-Freeze may be used to flush through the pump.

NOTE: For use during winter months, use with brine to keep from freezing..