

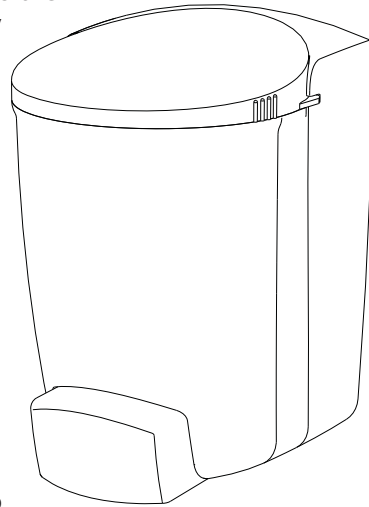


PSD1-1000 Soap Dispenser

General Overview

The PSD1-1000 PolyJohn soap dispenser is the first soap dispenser designed specifically for the portable restroom environment. These features include:

- A completely sealed soap container to keep soap from spilling when transporting the restroom
- A lid that secures onto the soap container after removing from the restroom for spill-less storage
- Easy to clean, smooth surfaces
- Capable of regular liquid soap or foaming soap by changing out the pump
- One hand operation
- Clear container to see the level of soap
- NOT FOR USE WITH ALCOHOL BASED PRODUCTS



Capacity: 30oz / 887ml

We recommend reading through the entire information booklet prior to proceeding with installation, service and maintenance. All references to left and right throughout the booklet are as viewed from the front of the restroom.

POLYJOHN USA

PolyJohn Enterprises Corp
2500 Gaspar Ave.
Whiting, IN 46394
Phone: 800-292-1305
Fax: 219-659-0625
www.polyjohn.com
info@polyjohn.com

POLYJOHN WORLDWIDE

PolyJohn (UK) Ltd.
Equinox 1 Audby Lane
Wetherby, England LS22 7RD
Phone: 44 (0) 1937-583333
Fax: 44 (0) 1937-583322
sales@polyjohn.co.uk

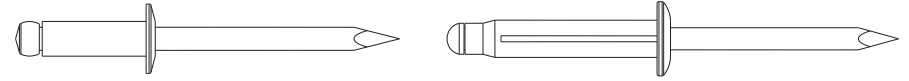
POLYJOHN CANADA

PolyJohn Canada
P.O. Box 2300
199 Forest Plain Rd.
Orillia, Ontario LV3 6S2
Phone: 800-465-9590
Fax: 705-325-8250
info@polyjohncanada.ca

~~Tools Required~~

- Drill • 13/64" Drill Bit • Rivet Gun

Full Size Scale Fasteners



(3) PC-000102 Rivet

(3) PC-000105 Rivet



(3) PC-000106 Washer

Installation

Step 1. Remove the lid by turning counterclockwise and lift up.

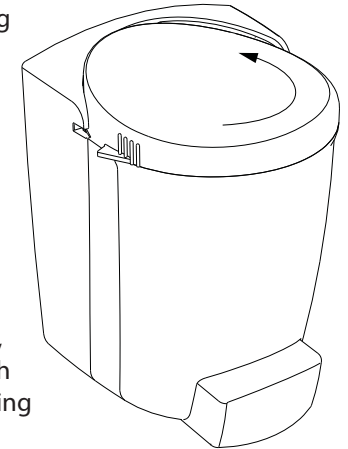
Step 2. Push the locking tab back and lift up on the soap dispenser container.

Step 3. Holding the backing plate in the place where you would like to mount the dispenser, mark the placement for the three mounting holes.

Step 4. Secure the backing plate in place using the desired fasteners.

Step 5. Slide the soap container back in place, making sure the locking tab is in place, and fill with liquid soap. If the dispenser is fitted with a foaming pump, only foaming soap may be used.

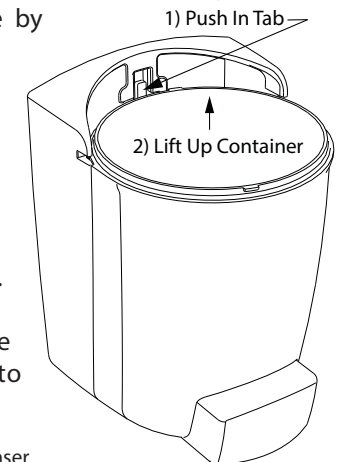
Step 6. Replace the lid and secure in place by turning clockwise.



1) Push In Tab

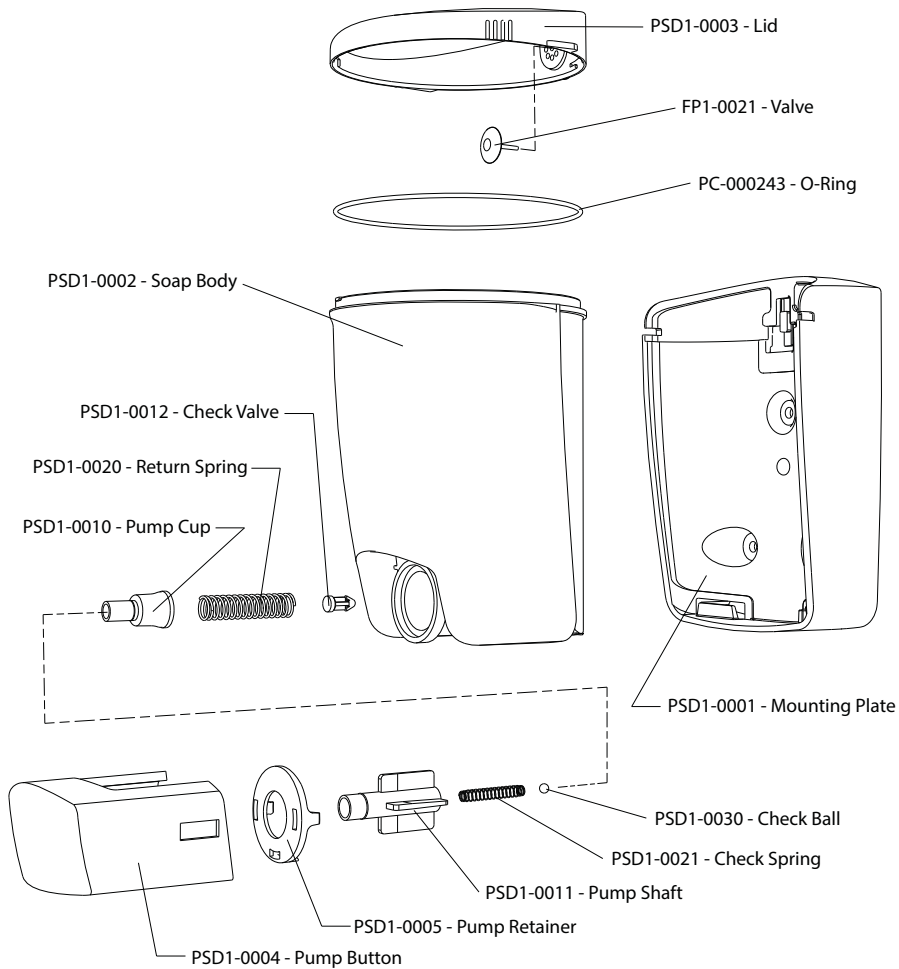
Maintenance and Care

- Use only mild cleaners with no abrasives using a soft cloth to clean all surfaces.
- Some silicone grease should be applied occasionally to the o-ring at the top of the soap container to keep the lid from sticking. Mineral oil should NEVER be used.
- If there is a chance for freezing, remove the dispenser and drain the soap. Be sure to remove the soap from the pump as well.



2) Lift Up Container

Exploded View Parts Diagram



For a source of cleaning, deodorizing and paper products contact:

COOPER'S OWN
2500 GASPAR AVE.
WHITING, IN 46394-2175
800-292-1305

www.polyjohn.com/products/supplies/cooper-s-own

We highly recommend membership in the Portable Sanitation Association International (PSAI); the worldwide authority on portable sanitation services. The PSAI, "Portable Sanitation Industry Certification Program" manual contains a wealth of information on standards and service procedures. For more information contact the PSAI:

PORTABLE SANITATION ASSOCIATION INTERNATIONAL (PSAI)
7800 METRO PARKWAY, SUITE 104
BLOOMINGTON, MINNESOTA 55425 USA
800-822-3020 / 612-854-8300 FAX 612-854-7560
www.psai.org

MISSION STATEMENT

"PolyJohn is a family owned, state of the art, plastics manufacturing company dedicated to providing its employees with a work environment committed to excellence, and its customers with innovative products, services and technology that meet or exceed their requirements."

THANK YOU FOR PURCHASING POLYJOHN PRODUCTS!

Look for us on the Web @ www.PolyJohn.com