



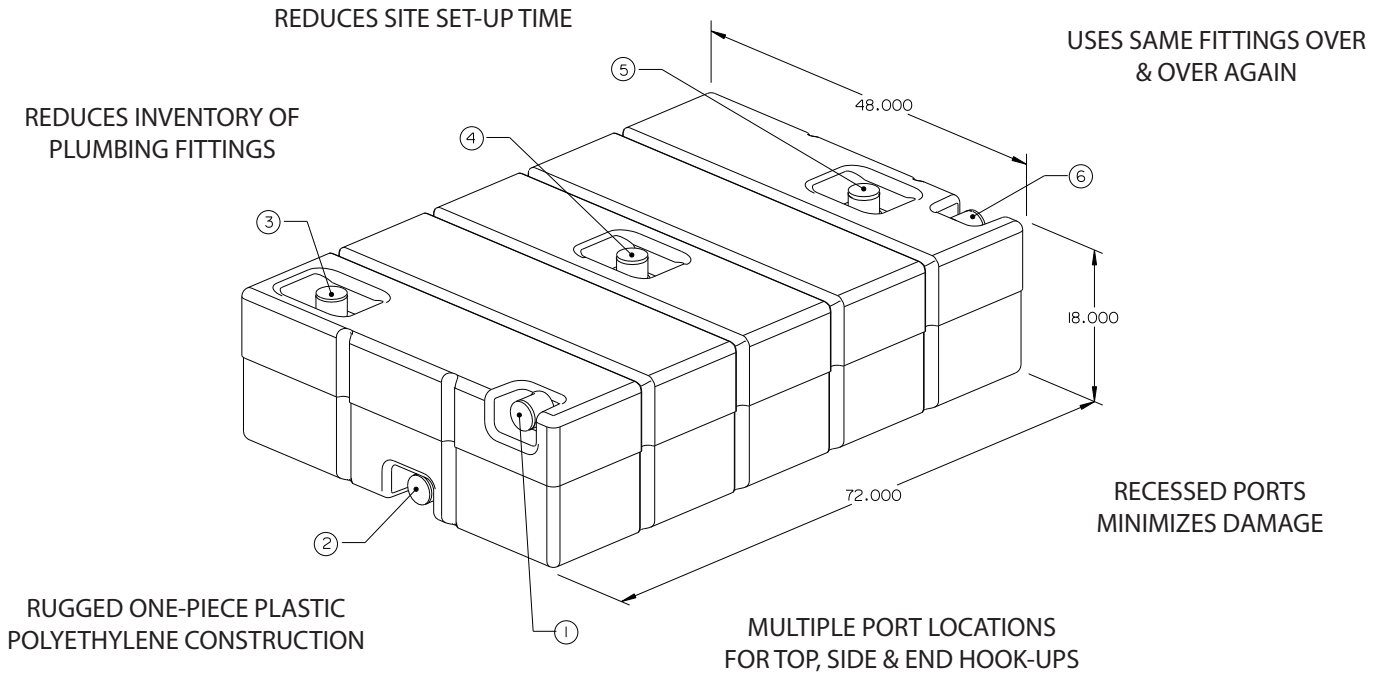
POLYJOHN[®]

there when you need us
WWW.POLYJOHN.COM

HT01-0250 250 GALLON HOLDING TANK HT01-0300 300 GALLON HOLDING TANK PRODUCT INFORMATION

General Overview

These unique portable holding tanks eliminate the use of threaded and solvent-cemented conventional plumbing fittings, which are usually discarded after each use. The 3" (7.6cm) ports utilize "Fernco"[®] flexible rubber couplings, which are available in a variety of pipe sizes and plumbing configurations such as couplers, elbows, tees and caps. These flexible fittings are re-usable. Two sizes of tanks are available. These durable plastic polyethylene tanks are supplied with the top, centre port #4, cut open with a 3" rubber cap and clamp provided. Other ports can be cut open and a rubber cap and clamp supplied at the customer's request for a nominal fee.



REQUIRED TOOLS TO PLUMB TANKS TO SEWAGE CONNECTION:
A SLOTTED SCREW DRIVER OR 5/16" HEX HEAD NUT DRIVER, 3" HOLE SAW AND HAND SAW

POLYJOHN USA

PolyJohn Enterprises Corp
2500 Gaspar Ave.
Whiting, IN 46394
Phone: 800-292-1305
Fax: 219-659-0625
www.polyjohn.com
info@polyjohn.com

POLYJOHN WORLDWIDE

PolyJohn (UK) Ltd.
Equinox 1 Audby Lane
Wetherby, England LS22 7RD
Phone: 44 (0) 1937-583333
Fax: 44 (0) 1937-583322
sales@polyjohn.co.uk

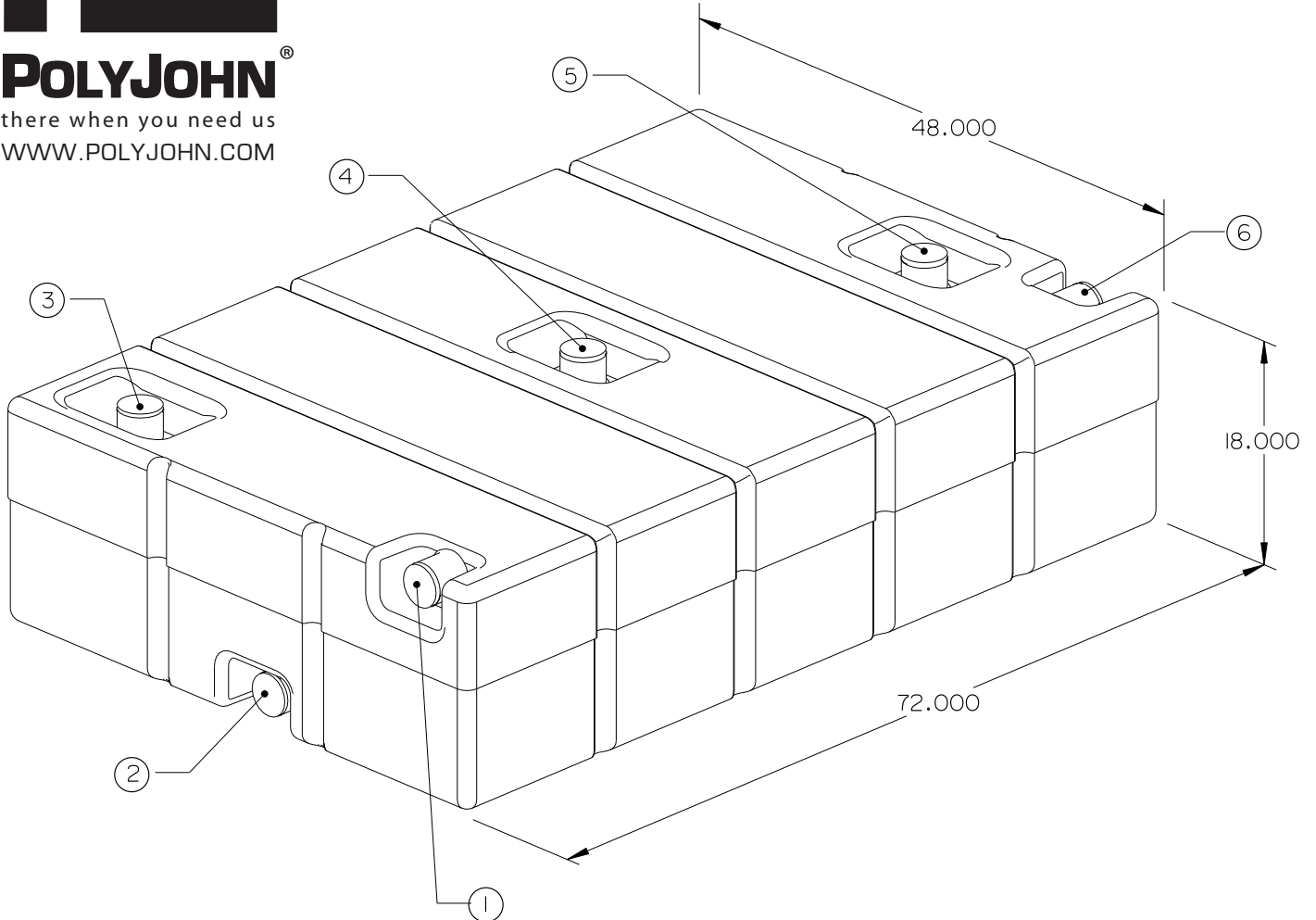
POLYJOHN CANADA

PolyJohn Canada
P.O. Box 2300
199 Forest Plain Rd.
Orillia, Ontario LV3 6S2
Phone: 800-465-9590
Fax: 705-325-8250
info@polyjohncanada.ca



POLYJOHN[®]
 there when you need us
 WWW.POLYJOHN.COM

HT01-0250 250 GALLON HOLDING TANK



HT01-0250 TANK
 WEIGHT 110 LBS. (49.5kg) EMPTY
 CAPACITY 250 GALLONS
 PORT #4 IS OPEN & SUPPLIED WITH CAP & CLAMP

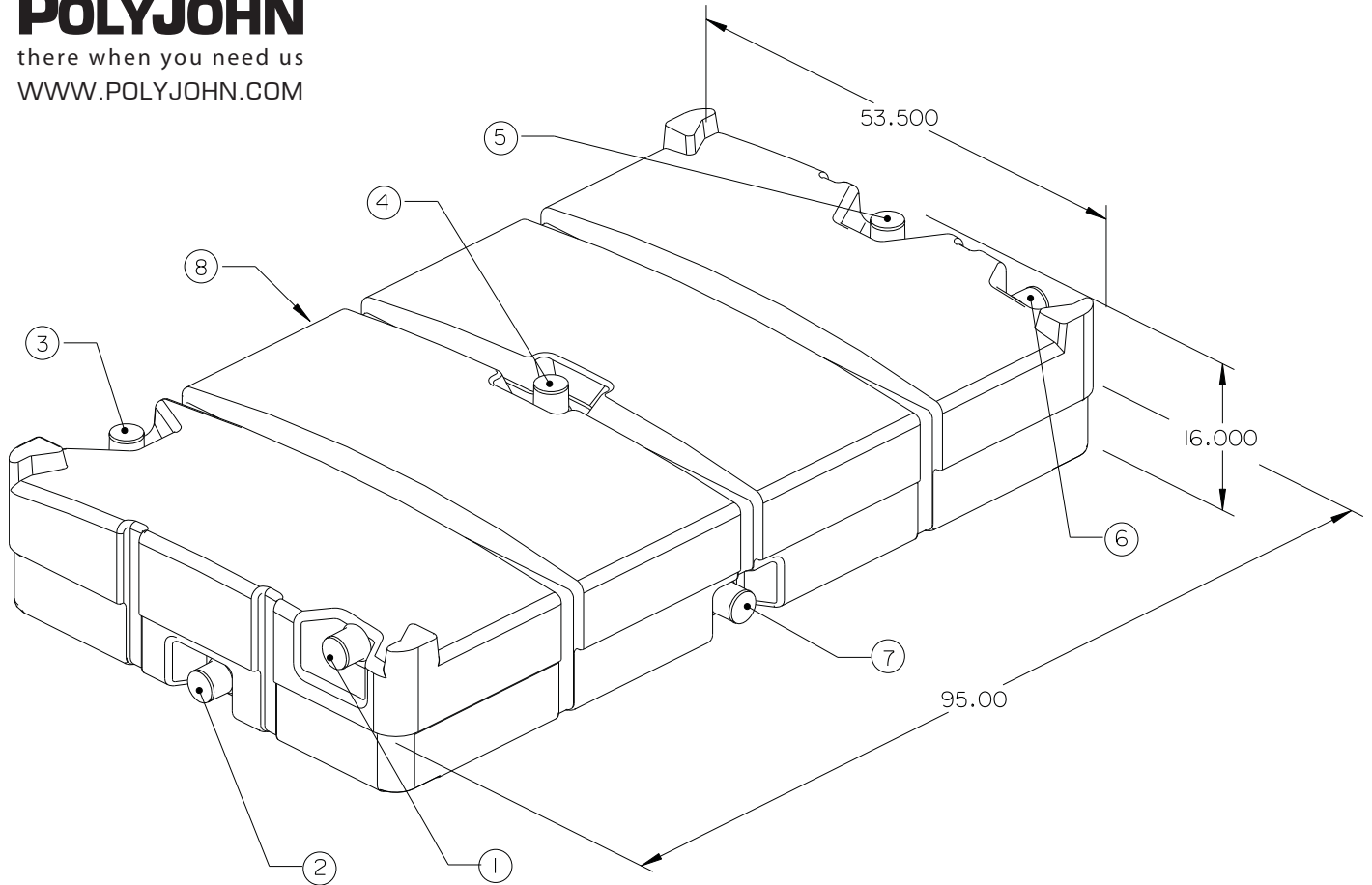
QUANTITY	PORT #1	PORT #2	PORT #3	PORT #4	PORT #5	PORT #6
				X		
				X		
				X		
				X		
				X		
				X		



POLYJOHN[®]
 there when you need us
 WWW.POLYJOHN.COM

HT01-0300

300 GALLON HOLDING TANK



HT01-0300 TANK
 WEIGHT 130 LBS. (58.5kg) EMPTY
 CAPACITY 300 GALLONS
 PORT #4 IS OPEN & SUPPLIED WITH CAP & CLAMP

QUANTITY	PORT #1	PORT #2	PORT #3	PORT #4	PORT #5	PORT #6	PORT #7	PORT #8
				X			*	*
				X			*	*
				X			*	*
				X			*	*
				X			*	*
				X			*	*



HT01-0250
250 Gallon Holding Tank
HT01-0300
300 Gallon Holding Tank
TECHNICAL INFORMATION

Resin Physical Properties

All holding tanks are manufactured using a linear, low density polyethylene, hexene copolymer resin and are made by the rotational molding process. The resin has excellent processabilities, outstanding dimensional control, low warpage, excellent environmental stress crack resistance (ESCR) and long term, ultraviolet (UV) stabilization. The resin and pigments used for coloring are FDA food grade compliant.

The nominal wall thickness for these tanks is 0.250". Due to the manufacturing process, wall thickness may vary.

These tanks are supplied with one Fernco[®] flexible rubber coupling cap and one port open. The outlet ports are designed to be used with Fernco[®] flexible rubber couplings. These couplings are manufactured from tough, elastomeric polyvinyl chloride (PVC). They are unaffected by soil conditions and resistant to chemicals, ultraviolet rays, fungus growth and normal sewer gasses. The clamps, band screw and housing are made from Series 300 stainless steel.

RESIN PHYSICAL PROPERTIES	TEST METHOD	UNITS	TYPICAL VALUE
Melt Index	ASTM D-1238	g/10 min.	5.2
Density	ASTM D-4883 or ASTM D-1505	g/cm ³	0.932
Melting Point	ExxonMobil Method	°C (°F)	125 (257)

MOULDED PROPERTIES	TEST METHOD	UNITS	TYPICAL VALUE
Tensile Strength at Yield	ASTM D-638	Mpa (psi)	15.1 (2200)
Tensile Break Elongation	ASTM D-638	%	750
Flexural Modulus 1% Secant	ASTM D-790 Procedure B	Mpa (psi)	600 (87,000)
Impact Strength @ -40°C 1/8" (3.17 mm) thickness 1/4" (6.35 mm) thickness	ARM **	J (ft-lb)	88 (65) 217 (160)
Environmental Stress Crack Resistance (ESCR), F50	ASTM D-1693 Condition A 100% Igepal 10% Igepal	hr	>1000 650
Deflection Temperature @A33 66 psi (455 Kpa) @264 psi (1820 Kpa)	ASTM D-1693	°C (°F)	55 (131) 37 (98)