



Signature Series

SK2-1000 APPLAUSE "2000" HAND WASH TWO-STATION SINK
Parts Drawing

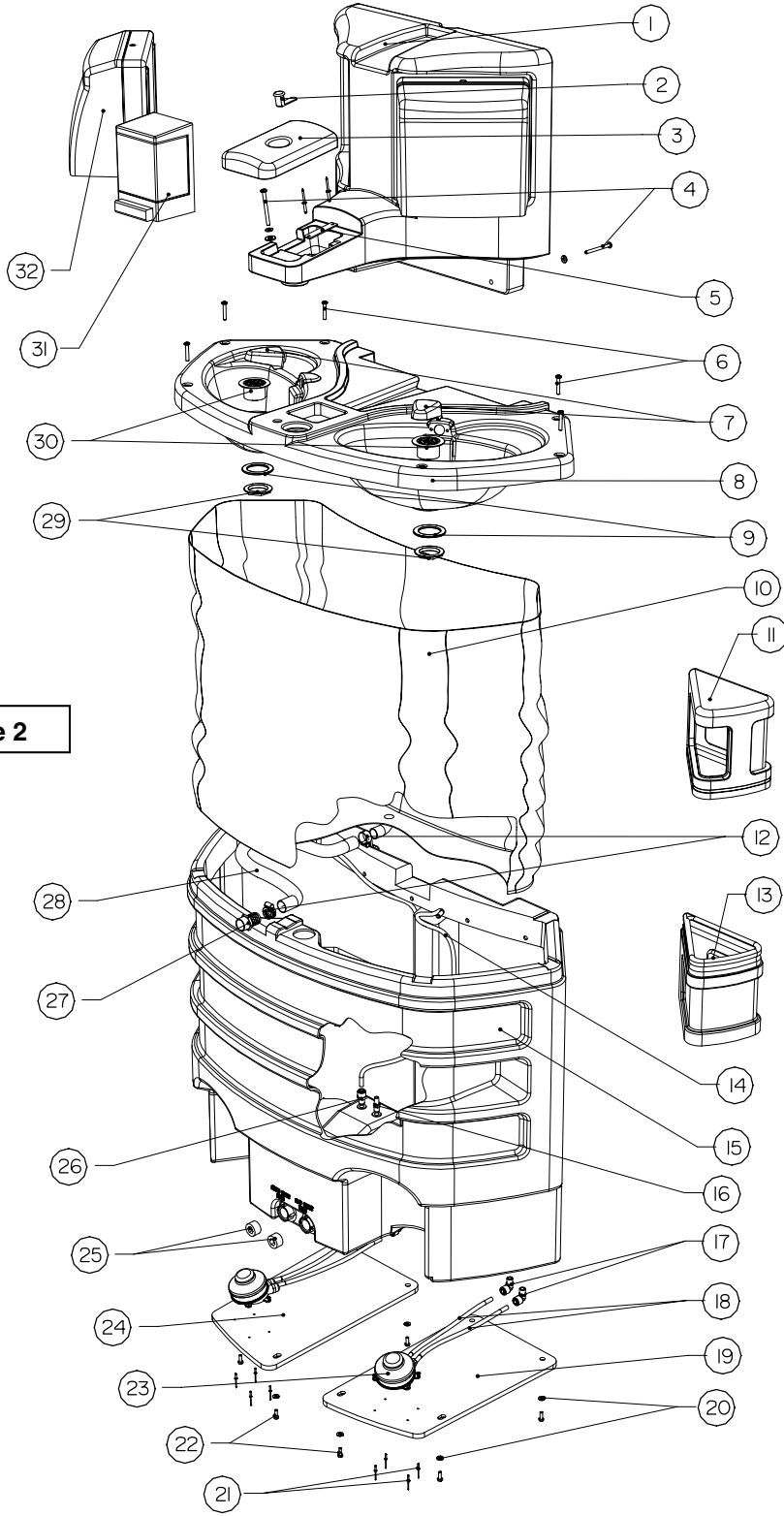


Figure 2



Signature Series

SK2-1000 APPLAUSE "2000" HAND WASH TWO-STATION SINK

Bill-of-Materials

| ITEM | PART # | DESCRIPTION | REQ | | | | |
|-------|-----------|---|-----|-------|-----------|--|---|
| 1 | SK2-0023 | DISPENSER TOWER | 1 | 14 | PM-030815 | TUBE, 3/8" X 48" LONG | 2 |
| 2 | SG1-0040 | LOCK | 1 | 15 | SK2-0020 | MAIN TANK | 1 |
| 3 | SK2-0024 | SERVICE LID | 1 | 16 | PC-000307 | WATER INTAKE FILTER, BRASS | 2 |
| 3a * | PC-000794 | SERIAL NUMBER I.D. PLATE | 1 | 17 | PC-000336 | MALE ELBOW, 3/8" TUBE X 1/4" MPT | 4 |
| 3b * | PC-000110 | RIVET, SMALL FLANGE, 1/8 - I.D. PLATE TO SERVICE LID | 1 | 18 | PM-030815 | TUBE, 3/8" X13" LONG | 4 |
| 4 | PC-00159 | SCREW, 1/4-20 X 3" PHILLIPS CROSSHEAD - TOWER TO MAIN TANK | 3 | 19 | SK1-0002R | BASE PLATE, RIGHT PUMP | 2 |
| 4a * | PC-000161 | WASHER, 5/16 X 3/4 SS - TOWER TO MAIN TANK | 3 | 20 | PC-000168 | WASHER, 5/16" X 7/8" FLAT - BASE PLATE TO MAIN TANK | 4 |
| 4b * | PC-000168 | WASHER, 5/16 X 7/8 SS - TOWER TO MAIN TANK | 3 | 21 | PC-000110 | RIVET, SMALL FLANGE, 1/8 - FOOT PUMP TO BASE PLATE | 8 |
| 4c * | PC-000105 | RIVET, BULBEX - TOWER TO SINK TOP | 6 | 21a * | PC-000111 | WASHER, 1/8" BACK-UP - FOOT PUMP TO BASE PLATE | 8 |
| 5 | PC-100600 | PLATE, STRIKER (FOR LOCK) | 1 | 22 | PC-000142 | BOLT, 1/4-20 X 3/4" LONG HEX HEAD - BASE PLATE TO MAIN TANK | 4 |
| 5a * | PC-00105 | RIVET, STAR, LARGE FLANGE - FOR STRIKER PLATE | 2 | 23 | PC-000600 | BABY FOOT PUMP | 2 |
| 6 | PC-000175 | BOLT, 1/4-20 X 1 1/2" PHILLIPS PAN HEAD - SINK TOP TO MAIN TANK | 6 | 24 | SK1-0002L | BASE PLATE, LEFT PUMP | 1 |
| 7 | PC-000581 | SINK TAP | 2 | 24a * | PC-000168 | WASHER, 5/16" X 7/8" FLAT - BASE PLATE TO MAIN TANK | 4 |
| 7a * | PC-000107 | RIVET, SMALL FLANGE, EXTRA LONG - SINK TAP TO SINK TOP | 4 | 24b * | PC-000142 | BOLT, 1/4-20 X 3/4" LONG HEX HEAD - BASE PLATE TO MAIN TANK | 4 |
| 7b * | PC-000106 | WASHER, 3/16 BACK-UP - SINK TAP TO SINK TOP | 4 | 25 | PC-000554 | PLUG, 1" MPT, BLACK | 2 |
| 7c * | PC-000337 | STRAIGHT, MALE, 3/8" TUBE TO 1/4" MPT | 2 | 26 | PC-000337 | MALE CONNECTOR, 3/8" X 1/4" MPT | 2 |
| 8 | SK2-0021 | SINK TOP, BOWL | 1 | 27 | PC-000327 | ADAPTER, STRAIGHT, 1" MPT X 1" HOSE BARB | 1 |
| 9 | PC-000312 | WASHER, RUBBER, LARGE | 2 | 28 | PM-030814 | HOSE, 1" WIRE REINFORCED X 22" LONG | 1 |
| 10 | SK2-0001 | TANK LINER W/ DRAIN | 1 | 29 | PC-000341 | HEX NUT (FOR SINK STRAINERS) | 2 |
| 10a * | PC-000356 | SNAP FASTENER, BUTTON | 14 | 30 | PC-000300 | SINK STRAINER | 2 |
| 10b * | PC-000110 | RIVET, SMALL FLANGE, 1/8 - SNAP BUTTONS TO MAIN TANK | 14 | 31 | LS03-0001 | SOAP DISPENSER | 1 |
| 10c * | PC-000111 | WASHER, 1/8" BACK-UP - SNAP BUTTONS TO MAIN TANK | 14 | 31a * | PC-000105 | RIVET, STAR, LARGE FLANGE - FOR SOAP DISPENSER TO TOWER | 4 |
| 11 | SK1-0003 | PAPER TOWEL TRASH CHUTE | 2 | 32 | TD03-0001 | PAPER TOWEL DISPENSER | 2 |
| 12 | PC-000352 | CLAMP, #12 | 2 | 32a * | PC-000105 | RIVET, STAR, LARGE FLANGE - FOR PAPER TOWEL DISPENSER TO TOWER | 8 |
| 13 | SK1-0003 | TRASH BAG HOLDER | 2 | | PC-000782 | DECAL - "NOT FOR DRINKING OR COOKING" | 1 |
| 13a * | PC-000104 | RIVET, SMALL FLANGE, LONG - BAG HOLDER TO MAIN TANK | 6 | | PC-100794 | DECAL - POLYJOHN ENTERPRISES | 1 |
| 13b * | PC-000106 | WASHER, 3/16 BACK-UP - BAG HOLDER TO MAIN TANK | 6 | | | | |

NOTE: WHEN ORDERING PART NUMBER SK2-0003 PAPER TOWEL TRASH CHUTE, BE SURE TO SPECIFY THE LEFT OR RIGHT SIDE PART.