

SAN2-1000 E SaniStand® Hand Sanitizer Stand Assembly Instructions

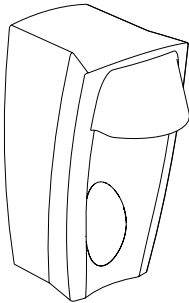
SPECIFICATIONS

<u>Dimension</u>	<u>Imperial</u>	<u>Metric</u>
Height	52 in	132 cm
Width	29.5 in	75 cm
Depth	29.5 in	75 cm
Weight Empty	17 lb	7.71 kg

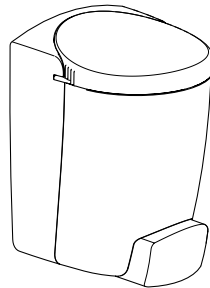
NOTE: All dimensions are subject to change due to environmental factors.

The E-Sanistand stores flat, can be easily assembled/disassembled, and is a great answer to an immediate need for hand sanitation. The mounting face of the stand can accommodate dispensers up to 6.70 in. (17 cm) wide. The unit can be assembled with the smooth finish out or a textured finish out. Dispensers not included.

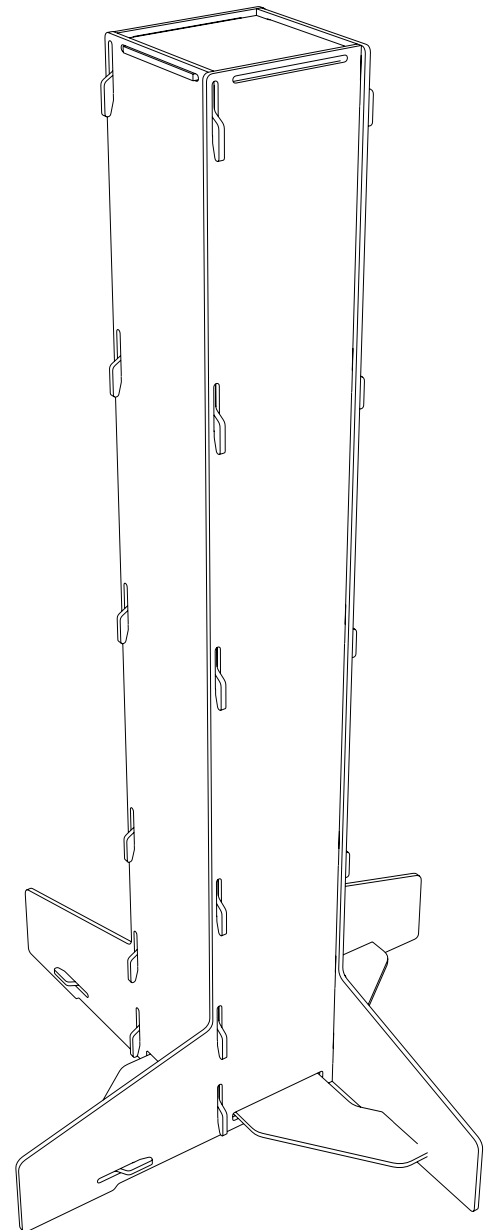
AVAILABLE DISPENSER OPTIONS



Foam Hand Sanitizer
PolyJohn Part # FD1-1000



Liquid Soap/Hand
Sanitizer Dispenser
PolyJohn Part # PSD1-1000



POLYJOHN USA

PolyJohn Enterprises Corp
2500 Gaspar Ave.
Whiting, IN 46394
Phone: 800-292-1305
Fax: 219-659-0625
www.polyjohn.com
info@polyjohn.com

POLYJOHN WORLDWIDE

PolyJohn (UK) Ltd.
Equinox 1 Audby Lane
Wetherby, England LS22 7RD
Phone: 44 (0) 1937-583333
Fax: 44 (0) 1937-583322
www.polyjohn.co.uk
sales@polyjohn.co.uk

POLYJOHN CANADA

PolyJohn Canada
P.O. Box 2300
199 Forest Plain Rd.
Orillia, Ontario LV3 6S2
Phone: 800-465-9590
Fax: 705-325-8250
www.polyjohncanada.ca
info@polyjohncanada.ca

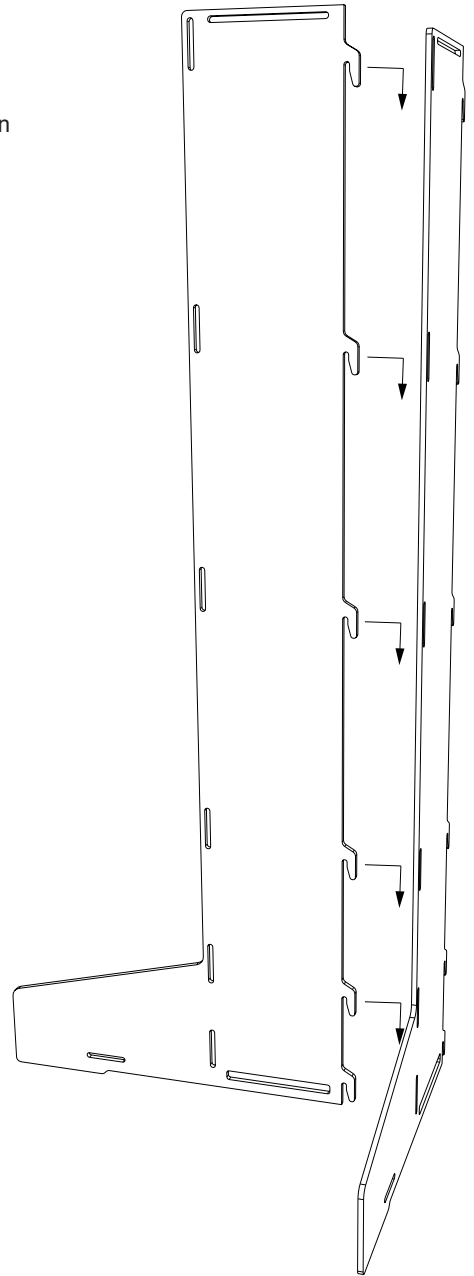
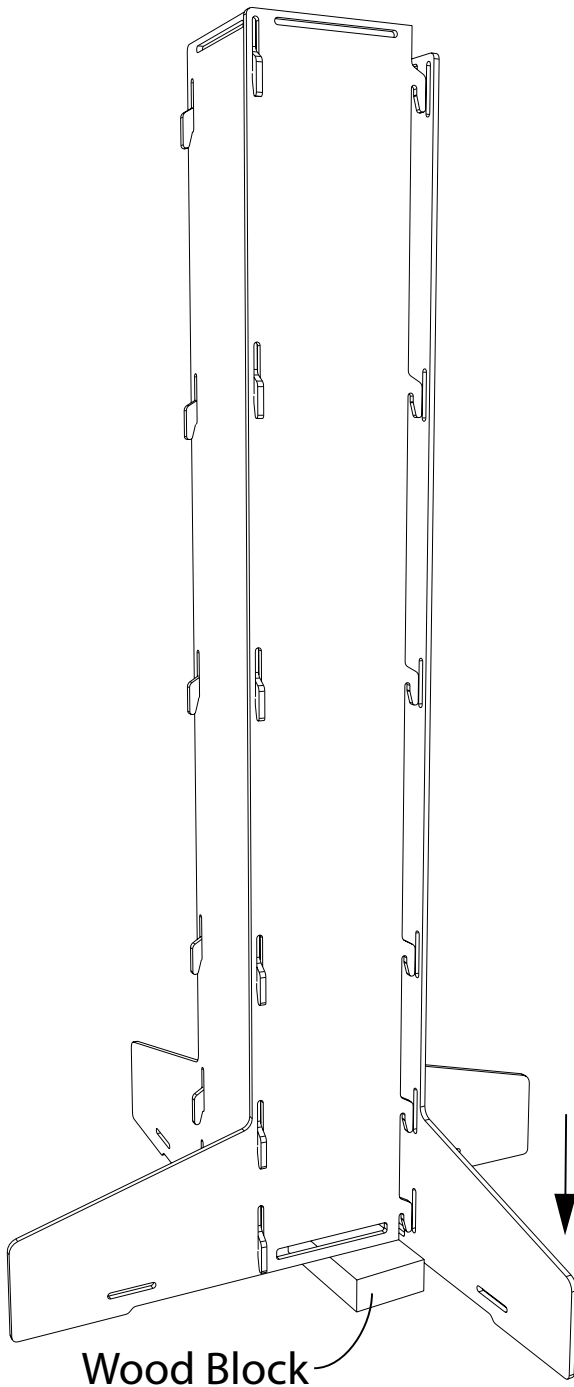
We recommend reading through the entire booklet prior to proceeding with use, service or maintenance.

SAN2-1000 Assembly - May 2020

Page 1 of 4

Assembly Instructions

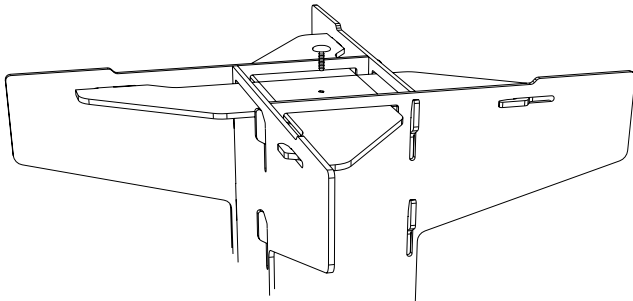
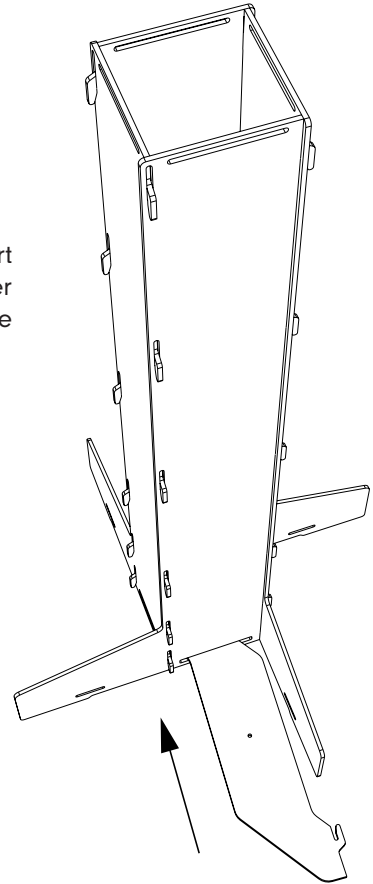
Step 1: Insert the tabs of one panel into the slots of a second panel and slide down into place. Repeat this step for the remaining panels.



Step 2: For the final panel, You will need to twist the whole assembly to get the last tabs into the slots. To do this, place your foot or a piece of a 2 x 4 wood block under the panel with the tabs and push down on the panel with the slots. Place the bottom tab partially into the bottom slot but do not fully install it. This will hold the two panels into alignment and enable you to insert the remaining tabs into their corresponding slots. Once you have all the tabs inserted, you can 'pop' the tabs through the slots and the unit will fully engage.

Assembly Instructions Cont.

Step 3: Slide the leg brace into the slots located at the bottom of the panels and insert the tabs into the corresponding slots. Pull the tab into the slots. Repeat this for the other leg brace. You will have to guide the second brace under the first brace and into the slot of the side panel.

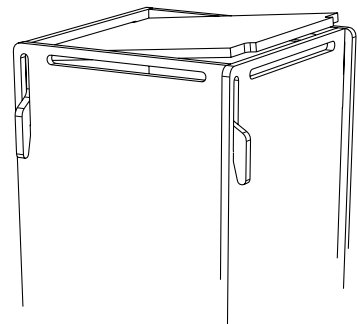


Step 4: Turn the unit upside down and line up the pre-drilled holes in the two leg braces. Fasten into place using the supplied PC-000369 plastic fastener

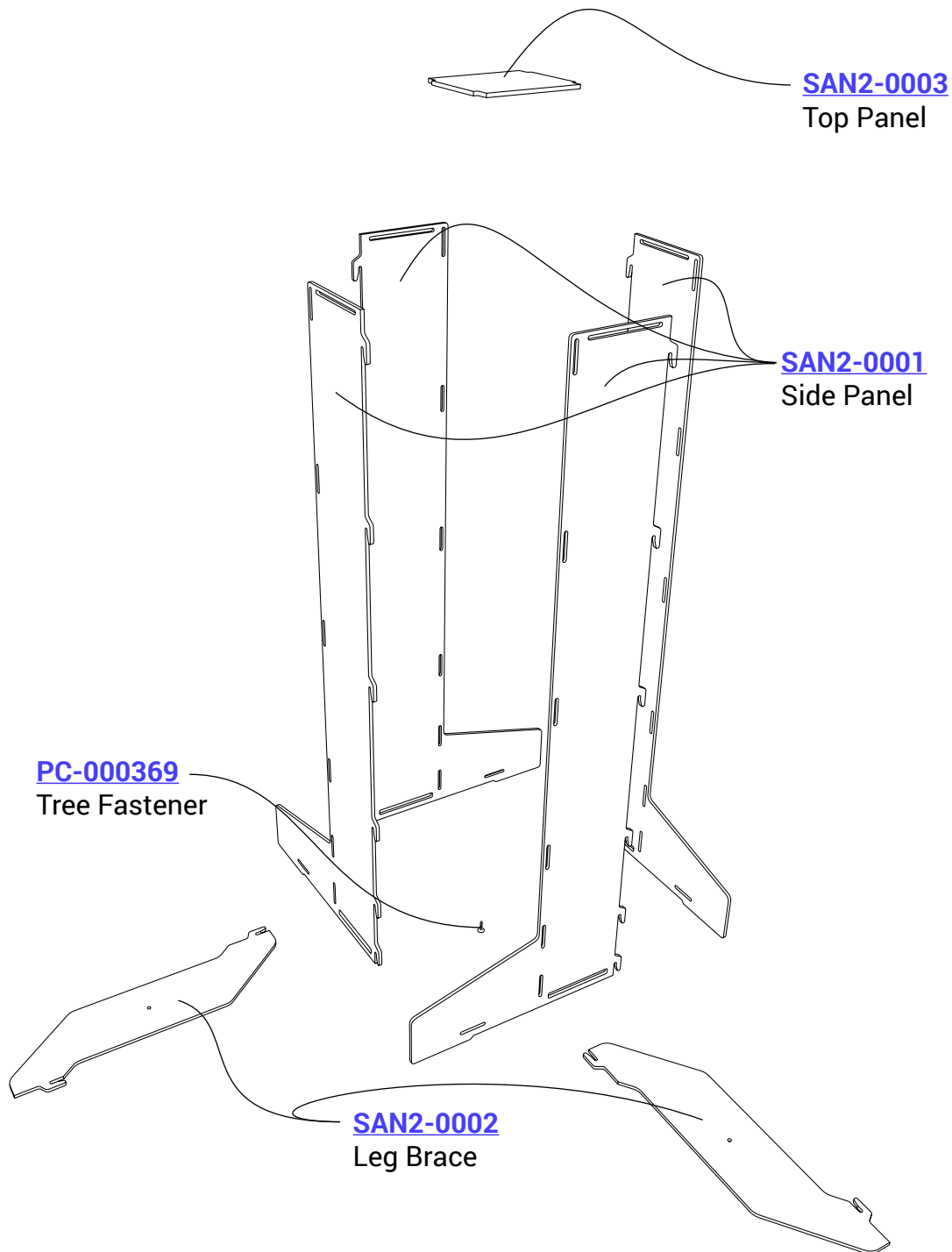
Step 5: Stand the unit upright. If you want to add a ballast of some sort (sandbag, gallon jug(s) of water/sand), do that now by sliding the ballast down into the center of the Sani Stand.

Step 6: Install your dispensers following the manufacturer's recommended installation instructions.

Step 7: Insert the tab on the top panel into one of the slots at the top of one of the sides. Using a screwdriver or other tool to pry with, pry the opposite side out so that the tab will insert into the corresponding slot.



Assembly is complete



OUR MISSION STATEMENT

"PolyJohn is a family owned, state of the art, plastics manufacturing company dedicated to providing its employees with a work environment committed to excellence, and its customers with innovative products, services and technology that meet or exceed their requirements."

THANK YOU FOR PURCHASING POLYJOHN PRODUCTS!

**For a video demonstration of assembly and more product information, visit
www.polyjohn.com/emergency-sanistand**

For more products and information, visit
www.PolyJohn.com
2500 Gaspar Ave., Whiting, IN 46394